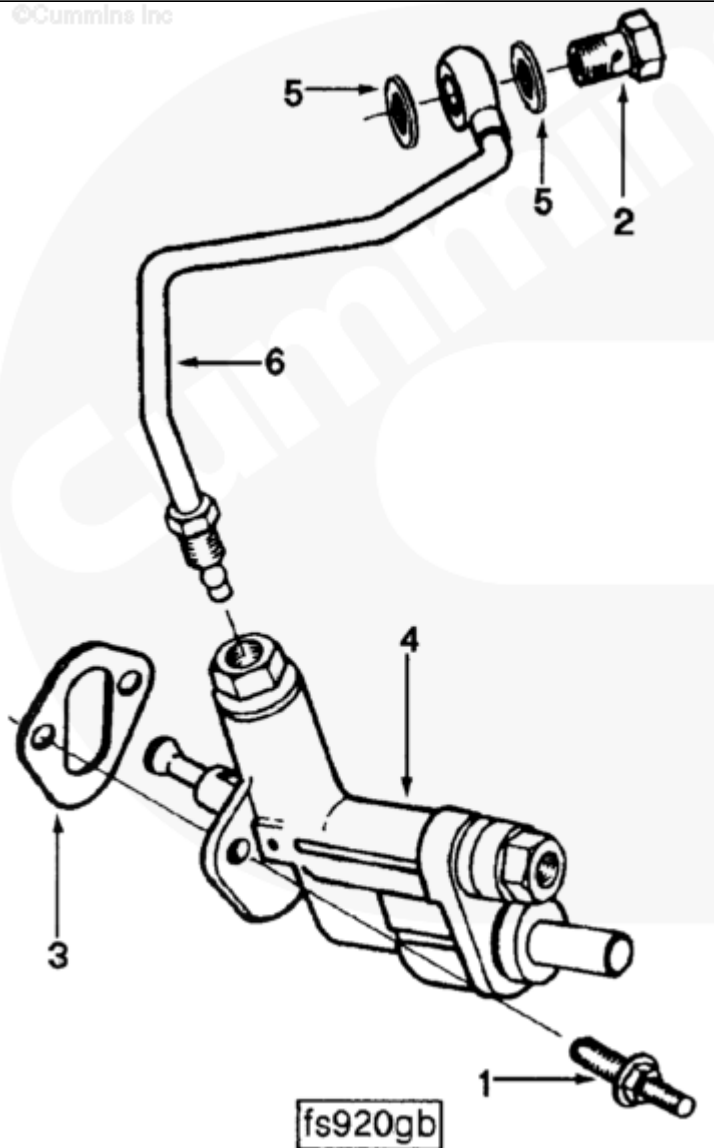




Parts Catalog - Option Detail

Electronic Parts Catalog - Option Detail				
Option	Group	Graphic	Film Card	Date
FS9089	05.19	fs920gb	Z	04-OCT-96
Engines	6C8.3, C GAS PLUS CM556, G8.3, G8.3 CM558, GTA8.3 CM558, ISC CM2150, ISC CM554, ISC CM850, ISC8.3 CM2250, ISC8.3 G CM2180 C101, ISL CM2150, ISL CM554, ISL CM850, ISL G CM2180, ISL8.9 CM2150 L110, ISL8.9 CM2880 L112, ISL9 CM2150 SN, ISL9 CM2250, ISL9 CM2350 L101, ISL9 CM2350 L111, ISLE4 CM850, L GAS PLUS CM556, L8.9, L8.9 L121, L8.9G CMOH2.0 L125B, L9 CM2350 L116B, L9 CM2350 L119B, L9 CM2350 L120C, L9 CM2350 L123B, L9.3 L105, L9.5 L117, L9N CM2380 L124B, QSC8.3 CM2250, QSC8.3 CM2880 C102, QSC8.3 CM554, QSC8.3 CM850(CM2850), QSL9 CM2250, QSL9 CM2250 L115, QSL9 CM2350 L102, QSL9 CM2350 L107, QSL9 CM2350 L118, QSL9 CM2350 L122, QSL9 CM554, QSL9 CM850(CM2850), QSL9 G CM558, QSL9 M CM2250 L106, QSL9.3 CM2880 L113			



SMALL | MEDIUM | LARGE

Cart	Ref No	Part Number	Part Description	Required	Remarks
View My Cart					
		FS9089	Lift Pump		
					Pump Style: Piston
					Pump Operation: Mechanical
					Pump Supplier: Cummins
					Pump Measured Flow
					(Liters/Min): 183-229
					Pump Measured Flow RPM: 1250
					Fuel Inlet Size: 1/2-14 NPTF
					Filter Location: Under head
					cylinder #5
					Unique Characteristics:
					Includes M6 mounting studs
					Restricted Fuel Pump:
					Bosch P7100
					Nippondenso EP9
					Cylinders: 6
					Engine Family: C Series.
<input type="checkbox"/>	1	3909310	Studded Hexagon Cap Screw	2	M8 x 1.25 x M6 x 1.00
<input type="checkbox"/>	2	3916361	Banjo Connector Screw	1	M12 x 1.50 x 24
<input type="checkbox"/>	3	3931348	Cover Plate Gasket	1	
<input type="checkbox"/>	4	3932224	Fuel Transfer Pump	1	
	5	3918191	Sealing Washer	2	Purchase 3935171.
<input type="checkbox"/>	6	3918539	Fuel Supply Tube	1	